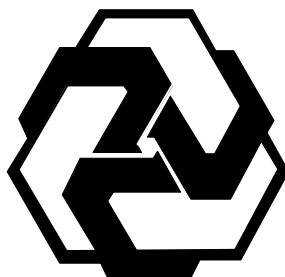


MODEL

MEGA SLIDE-UL™



COMMERCIAL DUTY SLIDE GATE OPERATOR



UL-325 LISTED

INSTALLATION AND SERVICE MANUAL

**IMPORTANT INSTALLATION INSTRUCTIONS-DO NOT DISCARD
(UL-325 MARCH 1, 2000 EDITION)**

*THIS UNIT IS A CLASS 1, 2, 3, OR 4 SLIDE GATE OPERATOR.
FOR USE IN CLASS 1, 2, 3, 4 SLIDE GATE APPLICATIONS.*

**(IMPORTANT: READ AND UNDERSTAND WARRANTY PAGE FIRST)
THIS UNIT MUST ONLY BE INSTALLED BY AN EXPERIENCED TECHNICIAN
DISCONNECT AC POWER & BATTERIES BEFORE SERVICING.**

WARNING! CHILDREN SHOULD NEVER BE ALLOWED TO PLAY NEAR OR OPERATE AUTOMATIC GATES.
FAILURE TO: 1) OBSERVE SAFE OPERATING PROCEDURE, 2) TRAIN YOUR CUSTOMER PROPERLY OR
3) INSTALL PROPER WARNING SIGNAGE MAY RESULT IN SERIOUS INJURY.

DC SOLUTIONS, INC

4750 S.W. 36 STREET. BLDG-X
FT. LAUDERDALE, FLORIDA 33314

TABLE OF CONTENTS

INTRODUCTION

INSTALLATION CHECK-OFF LIST.....	A1
WHAT TO EXPECT , CLASS 1 & 2 OPERATORS.....	A2
RECOMMENDED SITE LAYOUT.....	A3
SAFETY RECOMMENDATIONS.....	A4
UNIT OVERVIEW.....	1
INSTALLATION NOTES.....	2

INSTALLATION PROCEDURE

CONCRETE PAD.....	3
ANCHORS.....	3
CONDUITS.....	3
CHAIN INSTALLATION.....	3

WIRING AND HOOKUP

120 VOLTS AC.....	4
INPUT COMMANDS 1-8	4
ACCESSORY AND RELAY CONNECTIONS.....	5
BATTERY INSTALLATION.....	5
MASTER / SLAVE WIRING.....	6
RIGHT OR LEFT HAND OPERATION.....	8

TIMERS AND MODE SELECTIONS S1 & S2

MODE SELECTIONS - S1.....	7
FAST SPEED RUN TIMER - S1.....	7
MODE SELECTIONS - S2	7
CLOSE TIMER SELECTION - S2.....	7

ADJUSTMENTS

INSTANT REVERSE DEVICE (IRD).....	8
LIMIT SWITCH SETTINGS.....	8

TROUBLE SHOOTING AND MAINTENANCE PROCEDURES

BATTERY CHECK OUT.....	9
GATE NOT OPERATING.....	9
GENERAL SERVICE.....	9

SAMPLE CONFIGURATIONS

FREE EXIT OPERATION.....	10
ENTRY WITH ACCESS CONTROL DEVICE.....	10
DUAL DIRECTION.....	10
BARRIER ARM-GATE INTERFACE.....	8
SAMPLE LAYOUTS.....	13

CONTROL BOARD LAYOUT

COMPONENT LOCATIONS.....	11
--------------------------	----

MEGA-SLIDE PARTS LIST

PART NUMBERS AND DESCRIPTIONS.....	12
PARTS SHIPPED.....	12

INSTALLATION CHECK-OFF LIST

***THIS SLIDE GATE OPERATOR IS INSTALLED FOR USE AS A CLASS _____ INSTALLATION
EACH ITEM ON THIS INSTALLATION CHECK-OFF LIST SHOULD BE VERIFIED BY THE INSTALLER.***

- _____ TWO WARNING SIGNS SECURELY INSTALLED ON EACH SIDE OF GATE PANEL. (REQUIRED)
- _____ 1 OR 2 SAFETY PHOTO BEAMS INSTALLED, ONE ACROSS EACH SIDE OF GATE OPENING.
- _____ 1 OR 2 STOP PHOTO BEAMS INSTALLED ON EACH SIDE OF FIXED GATE PANEL.
- _____ CUSTOMER ADVISED THAT GATE IN FOR VEHICULAR TRAFFIC ONLY. (REQUIRED)
- _____ A SEPARATE PEDESTRIAN ENTRY AND / OR EXIT IS PROVIDED. (REQUIRED)
- _____ CONTACT EDGES INSTALLED AND FUNCTIONAL AT ALL HAZARD OR PINCH POINTS.
- _____ SAFETY GUARDS INSTALLED COVERING ALL CANTILEVER WHEELS. (REQUIRED)
- _____ ARE ALL CONTROLS LOCATED FAR OUT OF REACH OF GATE, FIXED PANEL & OPERATOR. (REQ)
- _____ IS THIS CLASS OPERATOR APPROVED FOR THE APPLICATION OF THE OPERATOR (1,2,3,4) (REQ).
- _____ A SPHERE WITH A 2 1/4" DIAMETER CANNOT BE PUSHED THROUGH THE GATE OR FIXED PANEL.
- _____ IS A SAFETY SCREEN/ MESH INSTALLED WITH A MIN. HEIGHT OF 4 FT. FROM GROUND INSTALLED.
- _____ ARE CONTROLS INTENDED TO RESET GATE AFTER OBSTRUCTED INSTALLED IN LINE OF SIGHT.(REQ)
- _____ HARD WIRED CONTACT SENSORS LOCATED & WIRED TO AVOID ANY MECHANICAL DAMAGE.
- _____ CUSTOMER INSTRUCTED AND IS CLEAR ON PROPER USE OF GATE OPERATOR. (REQUIRED)
- _____ CUSTOMER INSTRUCTED ON PROPER USE OF ALL CONTROL DEVICES USED WITH OPERATOR.
- _____ SAFETY INSTRUCTIONS WERE REVIEWED AND LEFT WITH CUSTOMER. (REQUIRED)
- _____ DID INSTALLER OFFER A PREVENTATIVE SERVICE/MAINTENANCE CONTRACT.
- _____ A PHOTO OF COMPLETED INSTALLATION TAKEN FROM FRONT AND BACK OF GATE & DATED.

CUSTOMERS SIGNATURE

DATE

INSTALLERS SIGNATURE

DATE

WHAT TO EXPECT FROM OUR CLASS 1,2 ,3, OR 4 OPERATOR.

SAFETY INSTRUCTIONS REGARDING PRIMARY & SECONDARY ENTRAPMENT PROTECTION.

THIS UNIT IS PROVIDED WITH TWO MEANS OF ENTRAPMENT PROTECTION. (SEE UL-325 SECTION 30)
(A GATE OPERATOR SHALL PROVIDE 1 **PRIMARY** (INHERENT) AND 1 **SECONDARY** ENTRAPMENT FEATURE).

PRIMARY: TYPE A - INHERENT ENTRAPMENT SENSING SYSTEMS

THE MEGA SLIDE-UL WILL REVERSE DIRECTION WHEN THE INHERENT TYPE A DEVICE SENSES AN OBSTRUCTION.

SECONDARY: TYPE B1- PROVISION FOR CONNECTION OF A NON-CONTACT SENSOR (PHOTOELECTRIC OR THE EQUIVALENT. THE MEGA SLIDE-UL WILL STOP & SOUND THE ALARM WHEN A B1 TYPE DEVICE IS ACTIVATED.

(NOTE: UNIT SHIPS WITH S1-6 ON &S1-8 OFF. DO NOT CHANGE THESE SETTINGS)

PRIMARY PROTECTION DESIGNATED TYPE A INHERENT PROTECTION. UNIT WILL REVERSE DIRECTION WHEN AN OBSTRUCTION IS SENSED WHILE MOVING IN EITHER DIRECTION. SENSITIVITY IS ADJUSTED ARE IRD1 ON CONTROL BOARD. WHILE CLOSING IF A OBSTRUCTION IS SENSED BY THE PRIMARY INHERENT SENSOR, THE GATE WILL REVERSE AND OPEN TO THE FULL OPEN POSITION. THE GATE WILL REMAIN THERE UNTIL A CLOSE COMMAND IS RECEIVED OR WILL CLOSE BY TIMER AFTER NEW INPUT IS RECEIVED. IN ORDER FOR THE GATE TO CLOSE BY TIMER (IF ACTIVATED) A NEW INPUT ON TERMINALS J5 1-8 MUST BE GIVEN. IF AN INPUT STILL PRESENT WHEN THE GATE REACHED THE FULL OPEN POSITION, THIS INPUT WILL NEED TO BE RENEWED OR REMOVED AND ANOTHER INPUT GIVEN BEFORE THE CLOSE TIMER WILL CLOSE THE GATE.

ENTRAPMENT ALARM WILL ACTIVATE UPON THE PRIMARY INHERENT SENSOR SENSING A SECOND OBSTRUCTION BEFORE REACHING A LIMIT SWITCH. ONCE ACTIVATED GATE WILL REMAIN AT REST ALARM WILL SOUND. THIS CONDITION CAN ONLY BE CLEARED BY AN INPUT APPLIED TO J5 #4. THE WIRING USED TO RESET THE OPERATOR MUST BE IN THE LINE OF SIGHT AND MUST BE AN "INTENDED" RESET. ACCESS CONTROL DEVICES OF ANY KIND THAT REQUIRED INTENDED (ON PURPOSE) ACTIVATION MAY BE USED FOR THIS RESET. DEVICES THAT WILL CAUSE AN INCIDENTAL RESET (VEHICLE DETECTORS, PROBES, TIMERS, MOTION SENSORS, PHOTO BEAMS, ETC...) MUST BE USED. FAILURE TO COMPLY WITH THIS REQUIREMENT MAY RESULT IN SERIOUS INJURY OR DEATH.

RECOMMENDED PHOTO BEAMS & SAFETY (CONTACT) EDGES

PHOTO BEAMS:

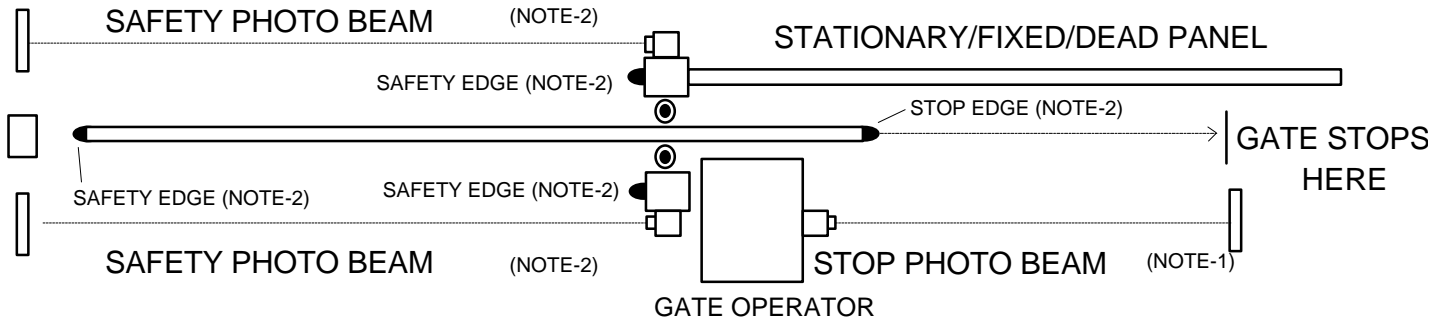
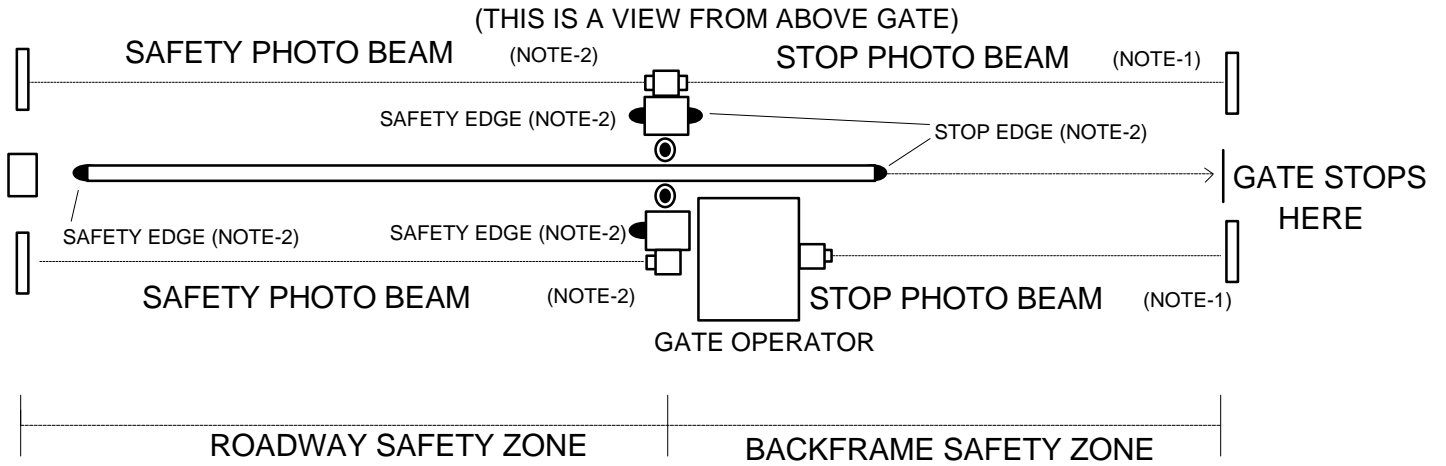
1)	OMRON / MMTC	MODEL E3K-R10K4-NR	RETRO-REFLECTIVE TYPE
2)	OMRON / MMTC	MODEL IR55	TRANSMITTER / RECEIVER
3)	OMRON / MMTC	MODEL 60-2728	RETRO-REFLECTIVE TYPE
4)	EMX INDUSTRIES	MODEL IRB-325	TRANSMITTER / RECEIVER TYPE

SAFETY EDGES (CONTACT EDGE):

1)	TAPE SWITCH	MODELIL, 107-RS, 107-LS, 121-BP, 101-B1, 102-A & B, 102-BP, 102-BPH, 101-BMT, 101-B
2)	MILLER EDGE	MODEL MU-22, MG-020, ME-123, MC-22, ME-110, ME-113, ME-120, ME-123, ME-020

RECOMMENDED SITE LAYOUT EXAMPLE

PLEASE USE ALL SAFETY DEVICES THAT MAY APPLY TO YOUR INSTALLATION TO ACHIEVE THE SAFEST OPERATION



◄ = CONTACT EDGES

NOTE-1. SECONDARY ENTRAPMENT DEVICE (UL-325, SECTION 30A.1.4)

NOTE-2. MAYBE ADDED AS A THIRD LEVEL OF SAFETY BUT IS NOT TO REPLACE BEAMS MARKED NOTE-1.

NOTE-3. SAFETY EDGE WILL RE-OPEN A CLOSING GATE (USE J4 #5, SAFETY LOOP INPUT)

NOTE-4. STOP EDGE WILL STOP GATE WHILE CONTACTED (USE JP2 CONNECTION)

NOTE: UL-325 SECTION 30A.1 THIS UNIT TO EMPLOY:

PRIMARY ENTRAPMENT IS AN "A1" INHERENT ENTRAPMENT SENSING SYSTEM WITH AN AUDIO ALARM. (REVERSES GATE DIRECTION) .

SECONDARY ENTRAPMENT IS A "B1" A NON-CONTACT, PHOTOELECTRIC BEAM OR EQUIVALENT, CONNECT AT JP2. (STOPS GATE SEE NOTE-1).

AT LEAST ONE SECONDARY "STOP" PHOTO BEAM SHOULD BE INSTALLED ALONG THE GATES PATH THAT IS COVERED WHEN OPEN.

PHOTO BEAMS ARE TO BE INSTALLED ACCORDING TO THEIR MANUFACTURES INSTRUCTIONS AND ARE TO BE PLACED IN AREAS THAT POSE A RISK OF ENTRAPMENT.

THIS DRAWING IS NOT TO SCALE

SAFETY RECOMMENDATIONS

Automatic gate operators can produce high levels of force, therefore it is very important that all gate operator system installers & designers are fully aware of potential hazards that exist with an incorrectly installed or designed system. The internal safety capabilities of a gate operator system are not enough to reduce the risk of injury. The operator is only one part of a properly installed system, which when combined with correctly installed safety devices will yield a complete system that will not only provide convenience and security, but will be safer with a minimal risk of injury.

The following information along with the check list (and the rest of the manual) is provided to make you aware of potential areas that are of a safety concern. Disregarding any of the following may result in serious injury or death.

TWO WARNING SIGNS SECURELY INSTALLED ON EACH SIDE OF GATE PANEL. (REQUIRED)

1 OR 2 SAFETY PHOTO BEAMS INSTALLED, ONE ACROSS EACH SIDE OF GATE OPENING.

1 OR 2 STOP PHOTO BEAMS INSTALLED ON EACH SIDE OF FIXED GATE PANEL (BACK AREA).

PHOTO BEAMS INSTALLED ACCORDING TO THEIR INSTRUCTIONS & IN AREAS THAT POSE ENTRAPMENT RISK

CUSTOMER ADVISED THAT GATE IS FOR VEHICULAR TRAFFIC ONLY. (REQUIRED)

A SEPARATE PEDESTRIAN ENTRY AND / OR EXIT IS PROVIDED. (REQUIRED)

CONTACT EDGES INSTALLED AND FUNCTIONAL AT ALL HAZARD OR PINCH POINTS.

SAFETY GUARDS INSTALLED COVERING ALL CANTILEVER WHEELS. (REQUIRED)

ARE ALL CONTROLS LOCATED FAR OUT OF REACH OF GATE, FIXED PANEL & OPERATOR. (REQUIRED)

IS THIS CLASS OPERATOR APPROVED FOR THE APPLICATION OF THE OPERATOR (CLASS 1,2,3,4) (REQ).

A 2 1/4" DIA. SPHERE CANNOT BE PUSHED THROUGH THE GATE/FIXED PANEL UP TO 4' FROM GROUND (REQ)

IF SO, IS A SAFETY SCREEN/ MESH INSTALLED WITH A MIN. HEIGHT OF 4 FT. FROM GROUND INSTALLED.

ARE CONTROLS INTENDED TO RESET GATE AFTER OBSTRUCTED INSTALLED IN LINE OF SIGHT. (REQ)

HARD WIRED CONTACT SENSORS LOCATED & WIRED TO AVOID ANY MECHANICAL DAMAGE.

CUSTOMER INSTRUCTED AND IS CLEAR ON PROPER USE OF GATE OPERATOR. (REQUIRED)

CUSTOMER INSTRUCTED ON PROPER USE OF ALL CONTROL DEVICES USED WITH OPERATOR.

SAFETY INSTRUCTIONS WERE REVIEWED AND LEFT WITH CUSTOMER. (REQUIRED)

DID INSTALLER OFFER A PREVENTATIVE SERVICE/MAINTENANCE CONTRACT.

A PHOTO OF COMPLETED INSTALLATION TAKEN FROM FRONT AND BACK OF GATE & DATED.

ADVISED CUSTOMER THAT FOR MANUAL OPERATION THEY MUST DISCONNECT BATTERIES & AC POWER.

IF INSTALLING THIS UNIT A GATE THAT ALLOWS A 2 1/4" SPHERE TO PASS THROUGH IT, THE GATE MUST BE CORRECTED BEFORE THE UNIT IS PUT INTO OPERATION.

DO NOT DISCONNECT THE SIREN IN ANY WAY- SWITCH S1#6 MUST STAY ON & S1#8 MUST STAY OFF.
TAMPERING WITH THE SIREN OF SWITCH SETTINGS MAY POSE THE RISK OF SERIOUS INJURY OR DEATH.

INTRODUCTION

UNIT OVERVIEW

The DC SOLUTIONS model MEGA-SLIDE-UL slide gate operator is unique in the industry. Setting the MEGA-SLIDE-UL apart are many features that make it the front runner in its class. With standard features like:

- Built in battery backup - inherent 24 VDC backup power with regulated 24VDC for accessories.
- High torque 1/2 HP 24 volt Permanent Magnet DC motor .
- Full service controller with eight inputs and LED indicators for loops, card reader, radio, etc...
- Continuous duty operation for most types of gates.
- Reversible gate direction for right or left handed operation.
- Instant Reverse Device (**IRD**) monitor senses obstructions going open and close.
- Automatic open of gate when power is lost if desired (With 15 sec. delay selection).
- ANTI-TAIL GATE with QUICK CLOSE feature STOP gate in close travel if tail-gating is sensed
- Upon complete system failure (lightning, surges, etc...) gate can be pushed open by hand.
- All rust proof aluminum construction with baked on powder coat enamel.
- Molded Polyethylene UV stabilized cover never needs wax or paint.
- Direct drive gear reducer eliminates many parts that might otherwise fail.
- Microprocessor (RISC) based electronics with watch dog reset timer.
- State of the art MOSFET motor drive technology, NO contactors or relays.
- Dynamic motor braking to preserve gate stopping points.
- Soft start and stop in open and close travel motions.
- High reliability micro switches actuate through nylon limit nuts on a precision ground shaft.
- Maximum Run Timer for motor (MRT) with anti-tamper protection in closing direction.
- Each unit configurable as master or slave operator.
- Safe 24 VDC low voltage motor and control wiring.
- Open architecture PCB with space for OVERDRIVE CPU for future expanded options.
- LED diagnostic center for easy on-site trouble shooting.
- Closing timer adjustable from 1-33 seconds with on / off selection.
- Tranzorb diodes on all inputs for protection against transient voltage spikes.
- Capable of being powered by 120 VAC, 220 VAC or Solar power, standard.
- Duplex outlet gives convenient supply of 120 VAC for transformers and 120 VAC accessories.
- Maximum weight of 1000 lbs. Maximum length of 32 feet. (Free moving operation)
- 5 year perforation warranty on cover and chassis with 1 year on electronics and mechanism.
- Input for safety edge device to reduce the possibility of entrapment -recommended.

PRE-INSTALLATION NOTES!

NOTE: **BEFORE ATTEMPTING ANY PART OF THE INSTALLATION, YOU MUST READ THE ENTIRE INSTRUCTION MANUAL FIRST AND AGREE TO THE STIPULATIONS STATED ON THE WARRANTY PAGE.**

PROPER DESIGN: Is important in your system layout and installation. Safety devices must be used at all available points where injury or property damage may occur. For protection from injury to persons, use photo electric eyes on both sides of gate and pressure sensing edges at all pinch points and at the front leading edge of the gate. Safety loops (vehicle detectors) should be installed in front of and behind the gate to provide a reverse signal or stop signal to the gate operator. On cantilever gates, all wheels should be enclosed so that fingers cannot reach pinch points between the gate and wheels. ALL SAFETY DEVICES SHOULD BE TESTED AND INSPECTED WEEKLY. IF A SAFETY DEVICE SHOWS TO NOT OPERATE CORRECTLY, THE UNIT SHOULD BE DISABLED UNTIL REPAIR CAN BE MADE BY A PROPERLY TRAINED/EXPERIENCED SERVICE COMPANY.

As the system designer/installer, you must advise your customer/end user on the correct usage of the gate operator and the system. In providing the service of design/installation of the operator and system, you are responsible for proper training of the customer as well as for the proper SAFE OPERATION. All precautions to eliminate ALL hazards MUST be taken before the unit can be put into operation. You MUST advise and warn your customer of any hazards that remain or if they choose to not use any of the recommended safety devices in the installation.

YOU ARE STRONGLY ADVISED TO GET IN WRITING FROM YOUR CUSTOMER THEIR ACCEPTANCE OF YOUR SYSTEM AND ACCEPTANCE OF ANY HAZARDS THAT REMAIN.

- SAFETY TIPS:**
- 1) Install the warning signs provided so that they are CLEARLY VISIBLE to any one in the area of the gate. (should your customer reject the usage of the warning signs, you are strongly advised to have them sign a disclaimer).
 - 2) Install any and all devices that will open or close the gate so that the entire gate and operator will be in full view by the person operating the gate.
 - 3) DO NOT ALLOW any control device to be located so that a person can access them by reaching through the gate pickets.
 - 4) Installing a pressure sensing edge (safety edge) at front of gate to reduce the possibility of entrapment (use J5 terminal #5 and common).

CAUTION: FOR USE ON A GATE WITH A MAXIMUM WEIGHT OF 1000 POUNDS AND A MAXIMUM LENGTH OF 32 FEET. NO BINDING IS ALLOWED, GATE MUST BE FREE MOVING. IT IS HIGHLY RECOMMENDED THAT HIGH QUALITY WHEELS WITH SEALED BEARINGS BE USED FOR ALL APPLICATIONS.

INSTALLATION PROCEDURE

CONCRETE PAD

The concrete pad for operator mounting should be approximately 24"x24"x24" in order to provide adequate weight and structure to insure proper and stable operation. Pad should be 6" above finished grade (street level) or 6" above top of curb if one is present. Be sure to position pad so that it is not so close that it will interfere with the wheel mounting / axle bolts on the gate or that it is so far away that the rear mounting holes in the base will be too close to the edge of the concrete form.

(NOTE: PAD MUST ALWAYS EXTEND BELOW THE FROST LINE IN AREAS WHERE THE GROUND FREEZES!!)

ANCHORS

Proper anchors for fastening operator to pad will be a 1/2"x6" wedge anchor patterned to match the mounting base of the unit. They should be installed with approximately 1" showing above concrete surface in order to allow for the 1/4" thick base plate as well as washers for leveling. Mounting hole pattern is 8.25" wide by 9.125" deep. The rear mounting hole centers (nearest to gate) will need to be between 5.25" and 7" from gate if the chain brackets that are provided are to be used (based on a gate with a 2" x 2" box tubing frame).

CONDUITS

The area available in base of unit to position conduits is 10.75" wide by 7.25" deep. All conduits must be cut down to 1.5" in height to allow for the insertion of the equipment accessory shelf. The equipment accessory shelf maybe installed after all conduits are cut to proper height and all wiring has been properly routed.

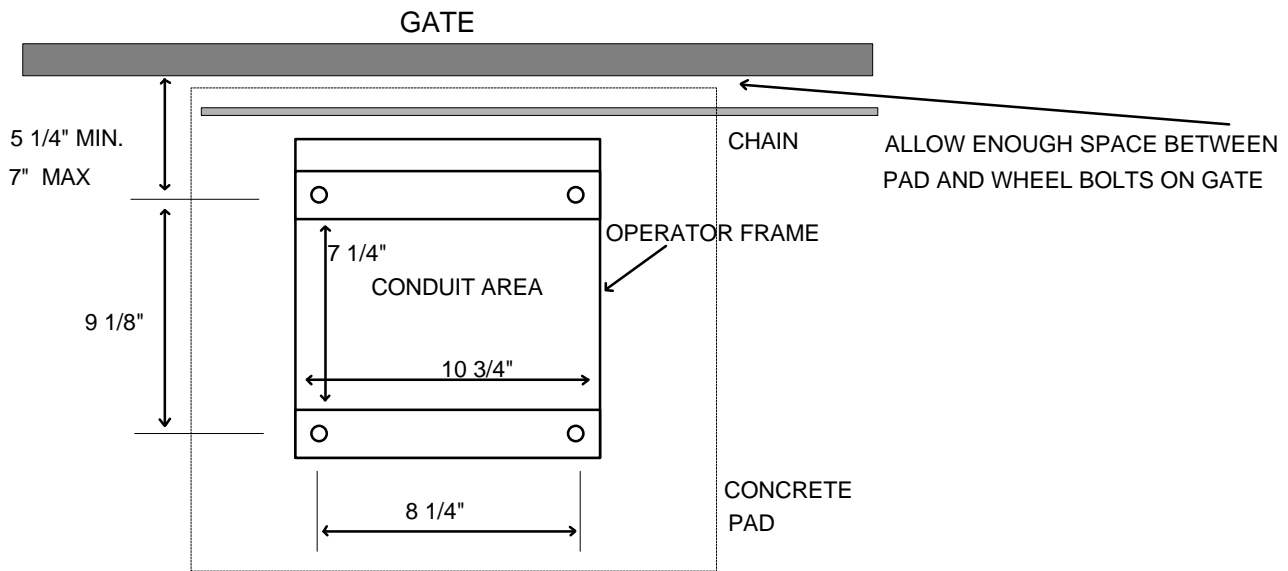
(NOTE: Do not attempt to hook up the 120VAC mains if wires are LIVE or HOT. Be sure power is off)

CHAIN INSTALLATION

Before beginning to install the chain, be sure that the centerline of the mounting holes in the chain brackets are 8.5" above the mounting pad. Once the brackets have been installed and that the mounting holes in the brackets line up with the bottom of idler pulleys, connect one end of the chain to one end of the gate. Next thread the chain through the idlers and drive sprocket, then attach it to the other end of the gate. Cut chain so that the chain tensioners will not be adjusted out, allowing for as much future tightening as possible.

SAFETY EDGE INSTALLATION - SEE SAFETY PAGE IN FRONT OF MANUAL

It is highly recommended that a pressure sensing edge (safety edge) be installed at the leading edge and at all hazard and pinch points of the gate. Choose an edge that will cover the full height of the gate. It should be installed securely and any coil cord used to send the signal back to the operator should be cut so that excess cord be eliminated to prevent it from getting tangled in the gate or mechanism. Edges that are to REVERSE & re-open a closing gate connect to J5 #9 - #12. Edges that are to STOP the gate that is opening or closing will connect to the 2 pins on the JP2 block near the center of the board.



NOTE 1: MAXIMUM AMBIENT TEMPERATURE FOR INSTALLATION, 104 FAHRENHEIT.
NOTE 2: FOR AUTOMOTIVE USE ONLY, NO MOTORCYCLES, BICYCLES OR PEDESTRIANS.

WIRING AND HOOKUP (Only by a qualified electrician/installer!)

120 VAC

Be sure your main power (120vac) is OFF before attempting hookup. The 120 volts AC supply should be terminated to the wires below the duplex receptacle. Connect the 120 VAC to BLACK wire, Neutral to the WHITE wire and Ground the GREEN wire. **Warning- Do not connect any 120 VAC wires directly to the terminal strips on the electronic control board.** Only U.L. approved 14 AWG (or larger) 600 volt insulated wire should be used. A separate UL approved 10 amp circuit breaker should be used for each MEGA-SLIDE-UL operator. **BATTERIES MUST BE INSTALLED AFTER 120VAC POWER IS TURNED ON.** See BATTERY at page 3 and 120 VAC wiring on page 4.

INPUT COMMANDS (Use common & normally open contacts from devices connected to these inputs)

JP2 INPUT- THIS INPUT WILL STOP THE GATE AND ACTIVATE THE SIREN.

This input is for connection to wired contact edge sensors at pinch points and photo beams that run along either side the gate panel when in open position (if dead panel is present one beam should run along it)

INPUT COMMANDS-J5 CONNECTOR BLOCK AT TOP OF CONTROL BOARD.

Control wire connections at low voltage terminal strip will be at the top of the electronic control board. Make connections to the appropriate points for the desired operation. Wires should be U.L. approved 600 volt rated and at least 18 awg. They are to be routed through the Nylon wiring loops on the right side of the chassis. All external control devices must have normally open dry contacts. **DO NOT CONNECT ANY DEVICE WHICH WOULD DELIVER ANY VOLTAGE OF ANY KIND TO THESE TERMINALS.**

Terminals 9, 10, 11, 12 are the commons (0 VDC) used to activate the following inputs.

1, 2, 3 OPEN- These inputs will trigger gate open when pulsed or hold gate open with maintained contact. When released gate will close if closing timer is on or if close input is given.

4, AUXILIARY OPEN-(THIS IS THE WIRED LINE OF SIGHT INTENDED MANUAL RESET INPUT)

Use this input to reset the unit after a 2nd sequential obstruction is sensed and gate is locked with siren is running. This input normally functions as listed below.

Acts same as 1,2,3, above with S2-6 off. With S2-6 on this will operate as a pulse-open, pulse-close (Alternate commands). Note: Pulse to close will only work when gate is at full open position. When S2-6 is off, the input is the same as 1,2 or 3 but WILL not fire the K1 relay when the gate reaches the open limit switch (use this to allow an external open signal to HOLD slide gate open and not affect the barrier gate when they are interfaced. (i.e. 7 day timer, photo cell. etc...)

5, SAFETY- Safety edge(s) and safety loop input. This function will make the gate reverse and go back to the open position if it was closing. Input is for all NORMALLY OPEN contact safety devices. This input is disabled when gate is in the full closed position.

6, CLOSE- ANTI-TAIL GATE close input. When using a vehicle detector, you must use the presence contacts (N.O. & C.) This input will QUICK close gate after input is applied and then removed. It will stop the open cycle and reverse gate to close. (Example: Car crosses over close loop before gate reaches full open position- gate will reverse and close). (Note: The close input also acts as a safety-stop in that if gate is closing and a tail-gater is sensed at the close input, the gate WILL STOP its closing motion and not continue to close until the close input is removed or gate is re-opened).

Page 4

24 VOLTS DC (Continued)

7, BACK-AWAY (FREE EXIT INPUT) This input is used for a free exit input to open gate when input is received and to reverse gate and close immediately once input is removed. If gate is opening and this input is removed, the gate will reverse and close. If this input is followed by another input (open, safety, or close) gate will continue with its new instruction. (EXAMPLE: Car pulls up to exit loop, gate opens; car "backs-away" from exit loop and gate closes without fully exiting through gate).

8, SHADOW LOOP- This input operates as a hold open only when gate is a full open position.

9, 10, 11,12- COMMON- These inputs used for common (0 VDC) to above listed functions.

Note: The above inputs are tied to LED indicators to assist in trouble shooting.

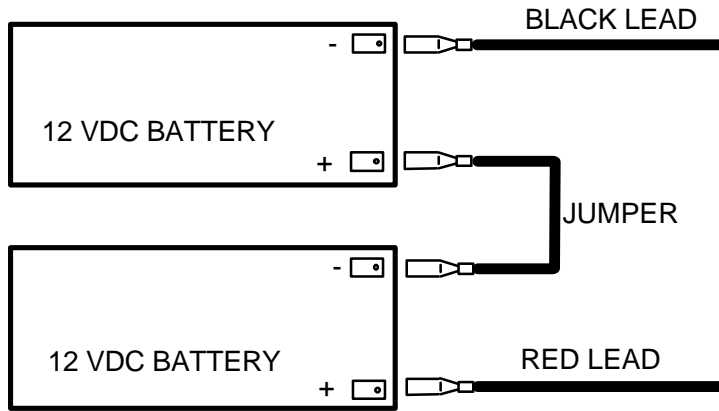
ACCESSORY CONNECTIONS

These terminals will provide battery backed power to 24 VDC devices and are located at the bottom of the electronic control board at terminals 1 and 2. Terminal 1 is 24 VDC (+) and number 2 is 0 VDC (-). Peripheral CLASS 2 low voltage devices that require 24 VDC power maybe connected here (500 ma. maximum). EXAMPLE: Vehicle detector, radio receiver.

RELAY OUTPUT K1- (FOR CLASS 1 & 2 INSTALLATIONS, DO NOT DISCONNECT SIREN. S1-6 MUST BE ON AND S1-8 MUST BE OFF. ---DO NOT CHANGE--)
Relay is programmable for functions set at S1-6 or S1-8. (see page 7).

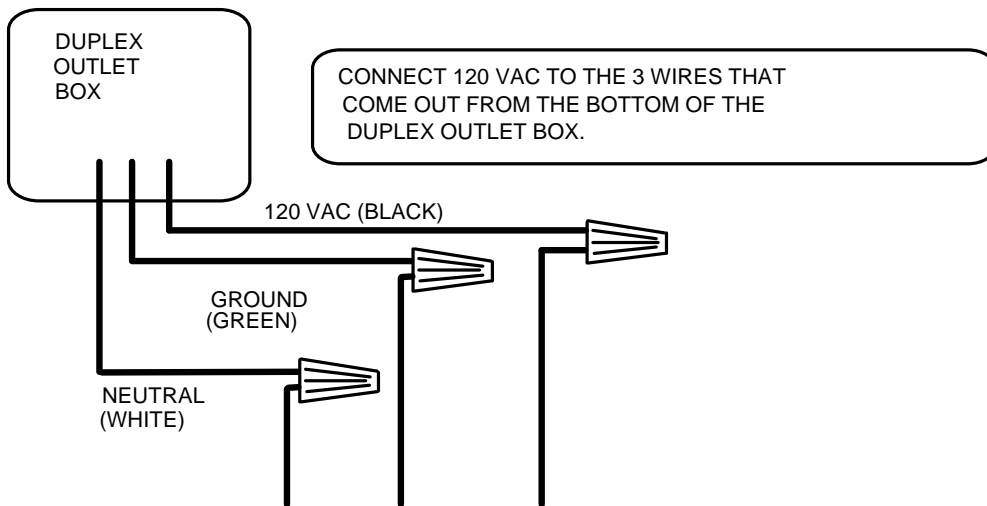
BATTERY INSTALLATION

HOOKING UP BATTERY LEADS- ALWAYS HOOKUP AND TURN ON AC POWER **BEFORE** INSTALLING BATTERIES. After turning on AC power, install two fresh, fully charged 12 volt DC batteries on shelf next to motor. Connect red lead from operator to the positive (RED +) terminal of one battery and black lead from the operator to the (BLACK-) terminal of the OTHER battery. Place a jumper between the remaining terminals of each battery if one is not already in place. See diagram below.



Failure to install batteries correctly will cause damage and WILL not be covered by warranty.

120 VAC POWER CONNECTION



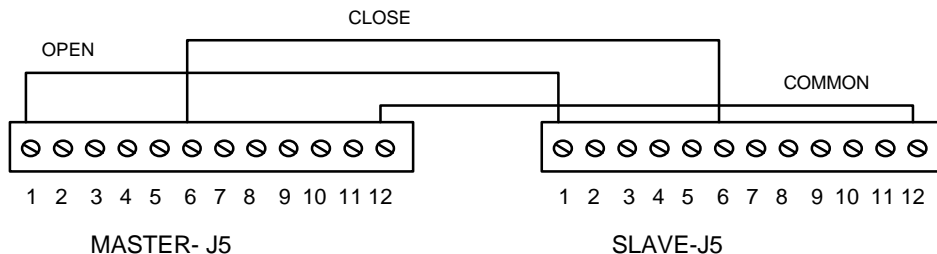
MASTER SLAVE WIRING

Master-slave wire hook up.

STEP 1- In a master/slave configuration, either unit can be the master. Choose one unit to be the master and then direct all control wiring to it (also install vehicle detector and receivers in it).

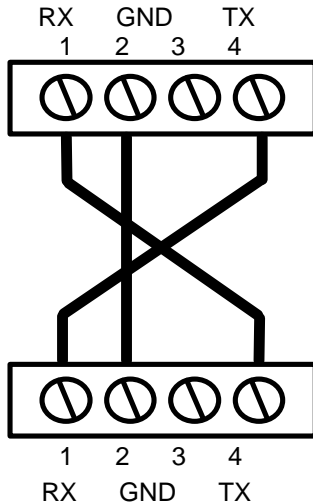
STEP 2- At the MASTER, any input (at J5) with control (detectors, receivers, keypads, timers, etc...) wires to it must also be run to the same terminals of the slave. Along with these control wires, both operators **MUST** share a common ground connection from chassis to chassis (or from common to common , i.e. master gate J5 terminal #12 to slave gate J5 terminal #12)

EXAMPLE: If only open and close are used at master then three wires will run between gates.



EXAMPLE:

STEP 3- If it is required that if one gate senses an obstruction, the other reverses also, then 3 additional wires must be run between the master **J3** and slave **J3** as shown below. These connections are for transmitting IRD (obstruction signals) between both units. This will allow the master or slave to inform the other that a closing obstruction has occurred and for it to also reverse and open. **SET** switches on **S2, 1-8** the same on both gates.



MASTER - J3

IRD - OBSTRUCTION SIGNAL CONNECTIONS

THE CONNECTIONS TO THE LEFT MUST BE DONE IN ORDER FOR GATE IRD'S TO WORK CORRECTLY. TERMINAL 1 OF MASTER MUST GO TO TERMINAL 4 OF SLAVE AND TERMINAL 1 OF SLAVE MUST GO TO TERMINAL 4 OF MASTER. TERMINAL 2 OF MASTER WILL GO TO TERMINAL 2 OF SLAVE.

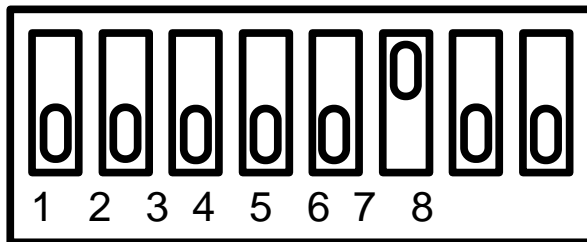
SLAVE - J3

TIMERS AND MODE SECTIONS-(S1 and S2)

FULL SPEED RUN TIMER- SWITCH PACK S1 (1-5)

To change the FAST SPEED run timer, set the dip switches to add up to the number of feet, minus one foot , for the total feet of travel across roadway. Example: If road is 15 feet wide, then set dip switches to add up to 14 seconds (dips 2,3,4 are on which is 2 seconds + 4 seconds + 8 seconds = 14 seconds. Setting FULL SPEED to end before the end of travel will allow the gate to go to the slow speed before stopping.

SECONDS----- 1 2 4 8 16



SHOWS DEFAULT SETTINGS

FAST RUN TIMER 1-5 | MODE SELECTION 6-8

MODE SELECTIONS- SWITCH PACK S1 (6-8)

SWITCH - 6. On for CLASS 1 & 2 , Activates K1 relay if gate is forced open. Also activates siren-Class 1 & 2.

SWITCH - 7. Changes the direction of operation. OFF=Right hand, ON= Left hand. (see page 8)

SWITCH - 8. (Leave off on all CLASS 1 & 2 applications. S1-6 & 8 off will make K1 relay activate if not at closed limit use to switch (buzzers, counters, etc..)

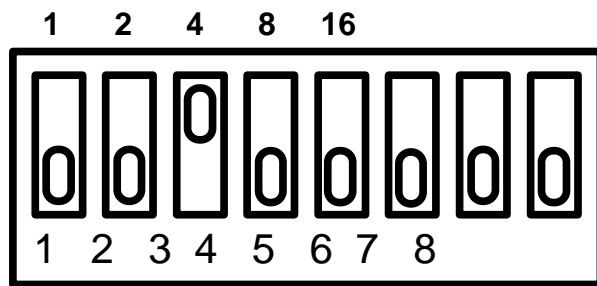
S1-6 OFF, S1-8 ON (ONLY FOR CLASS 3 & 4 APPLICATIONS) **BARRIER GATE ACCESS MANAGER.**

BARRIER GATE ACCESS MANAGER. This will supervise the activation of the K1 relay for controlling a barrier arm gate in the same lane. K1 relay will only pulse to raise the barrier arm after slide reaches full open position. While still open, any additional open signals sent to the slide gate (terminals 1,2,3) will again pulse the k1 relay and re-open the barrier if it has closed. Note: Should the slide gate be reversed by safety input or the IRD sensor, the K1 relay will NOT pulse when the gate reaches the open position to resist tampering. Input #4 will open the slide gate same as # 1,2,3, but will not pulse the K1 relay when reaching the open position. Use this input to hold open the slide gate as needed but still allow the K1 relay to operate arm via inputs to terminals #1,2,3.

CLOSE TIMER- SWITCH PACK S2 (1-5)

On the MEGA-SLIDE-UL the switches 1-5 on S2 are for the closing timer delay. If S2-7 is on, the gate will auto close by timer. Default is S2-3 "on" to provide a 4 second delay if activated.

SECONDS-----



SHOWS DEFAULT SETTINGS

CLOSE TIMER 1-5 | MODE SELECTION 6-8

MODE SELECTIONS- SWITCH PACK S2 (6-8)

SWITCH - 6. Sets aux. open input terminal #4 at J5 to be **pulse open--pulse close** (example: residential applications).

SWITCH - 7 AUTO CLOSE TIMER. Default is **OFF**. When on, use S2 1-5 to set close time delay.

When close timer is selected, **YOU** must install vehicle and pedestrian detection devices. It is strongly recommended that photo electric beams (eyes) be installed on **BOTH** sides of slide gate to reduce the possibility of injury to persons that may attempt to walk through gate opening. Along with the beams, it is strongly recommended that pressure sensing edges be install leading edge of the gate panel, and any area that presents a **PINCH POINT** or risk of **ENTRAPMENT**.

SWITCH - 8 AUTO OPEN ON POWER FAILURE. When switch number 8 is in the **ON** position, the operator will automatically open the gate approximately 15 seconds after the loss of power. Once power is restored the operator will resume normal operation.

Page 7

ADJUSTMENTS

RIGHT OR LEFT HAND OPERATION: UNIT SHIPS AS RIGHT-HAND

Method 1: To change the direction of travel from a RIGHT to a LEFT HAND OPERATOR you will need to turn S1-7ON o before turning on any power to unit. If you make a mistake you MUST turn off the AC and BATTERY power, reset the switch for the desired operation, then turn power back on.

Note: The OPEN (OLS-D7) and CLOSE (CLS-D3) LEDs on the left of the board will have reversed meanings with this method!

For **RIGHT HAND OPERATION** you will leave S1-7 in **OFF** position. (AS DEFAULT)

For **LEFT HAND OPERATION** will put S1-7 in the **ON** position.

(IF YOU SWITCH S2-7 TO THE "ON" POSITION DO NOT USE METHOD #2)

Method 2: Reverse the BLUE and ORANGE wire from the motor and at J4 from the limit switches. With this method DO NOT switch S1-7 to the ON position-leave in OFF position. **(SEE PAGE 8A FOR WIRING REVERSAL)**

(Wires are read from left to right)

RIGHT HAND OPERATION the motor (J4) and limit switch (at J2) wires will be **BLUE** then **ORANGE**
(NOTE: RIGHT HAND OPERATION IS THE DEFAULT SETTINGS FROM THE FACTORY)

LEFT HAND OPERATION - the motor (J4) and limit wires (at J2) will be **ORANGE** then **BLUE**.
(SEE PAGE 8A)

As a **RIGHT HAND OPERATOR** the **LIMIT SWITCH** closest to the gear box is the **CLOSE LIMIT**.

As a **LEFT HAND OPERATOR** the **LIMIT SWITCH** closest to the gear box is the **OPEN LIMIT**.

LIMIT SWITCH ADJUSTMENTS:

It is advised to set limit switches as close as possible BEFORE connecting power. In order to adjust limit nuts, the detent plate must be pushed down to allow free movement. Spinning the nut closer to the switch will cause the gate to stop sooner when approaching that switch. Spinning it away will delay the nut in reaching that switch. With power disconnected, (batteries and AC power) gate can be pushed open and closed to assist in limit switch adjustments. After initial settings connect power then run gate open and close to fine tune settings.

Remember to set the fast run timer (see page 7) to allow gate to run at the fast speed for as much of the gate travel as possible, but still ensuring that it will slow down just before reaching the closed position

INSTANT REVERSE DEVICE (IRD):

The instant reverse device is an internal circuit that continuously monitors the motors current for increased draw. While running gate open and closed, turn IRD1 fully to the left (CCW) then back to the right (CW) in small increments while obstructing the gate in the closing motion. Set sensitivity to a level that will only reverse gate when an obstruction is encountered. If obstructed while closing, gate will stop and reverse to the open position, time out (using the time delay set at S-2 switches 1-5) and then close. If gate is opening when obstructed, gate will stop its open travel. If inputs are present gate will remain stopped. If no inputs are present or existing are cleared, gate will time out and close.

WARNING - INSTANT REVERSE DEVICE (IRD) SHOULD BE TESTED WEEKLY TO INSURE PROPER OPERATION. IF ADJUSTMENTS ARE REQUIRED, REFER TO ABOVE PARAGRAPH.

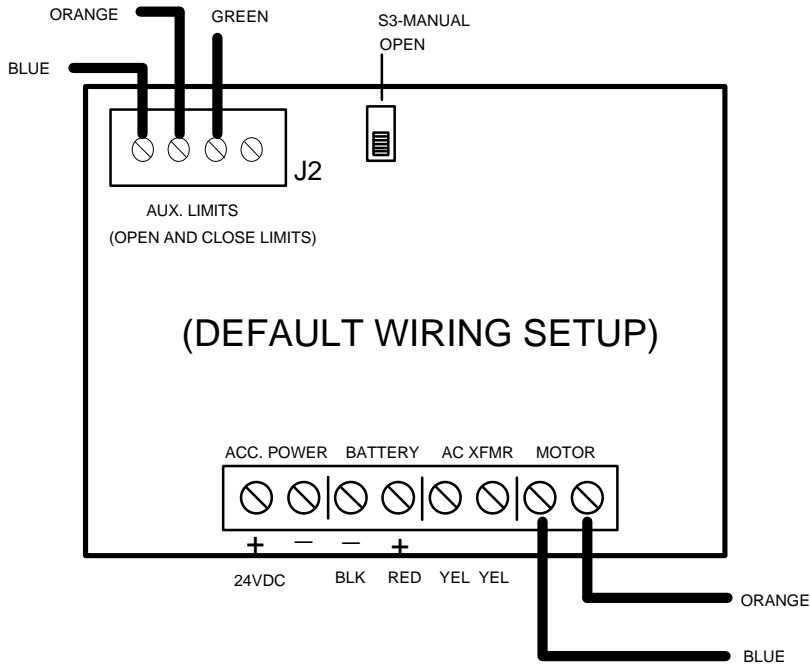
BARRIER GATE ACCESS MANAGER INTERFACE: (CLASS 3 & 4 ONLY) For full logical interface of MEGA SLIDE-UL to a barrier gate will require only two wires from the slide gate control panel to the barrier. Run two wires from MEGA SLIDE-UL panel NO and COMMON terminals at J1 to the two LOW VOLTAGE raise gate terminals on the barrier gate. Next switch on S1-8 to enable the relay to pulse open the barrier arm gate. When operator reaches open limit position, relay will pulse to open barrier. If while slide gate is still open and another open signal is sent to the slide gate, the relay will pulse again. If a constant open signal is on the slide gate, then the relay will stay energized. For a day / night mode of operation where you will require the slide gate to be held open, connect that hold open device to J5 AUX OPEN terminal #4. This will not pulse or hold the relay, but when an open signal is sent to J5 OPEN terminals #1, 2 or 3, the relay WILL pulse to raise the barrier arm. Note that while the slide is closing and the SAFETY LOOP input is activated or the gate is OBSTRUCTED the slide gate will reverse BUT WILL NOT PULSE THE INTERFACE RELAY to open the barrier arm.

Page 8

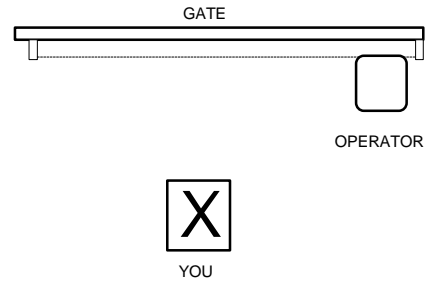
RIGHT OR LEFT HAND OPERATION : METHOD 2 DIAGRAM

NOTE: SWITCH S2-7 MUST BE OFF FOR METHOD #2

RIGHT HAND OPERATION -(AS SHIPPED OUT)



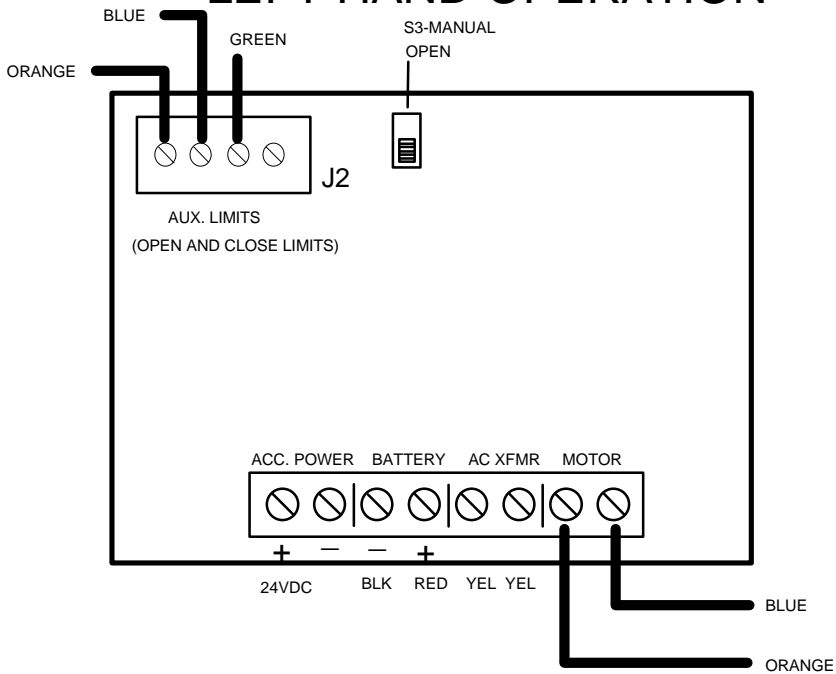
RIGHT HAND



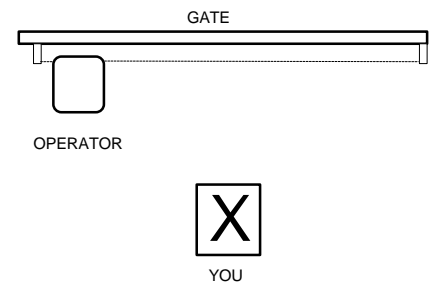
RIGHTHAND OPERATION IS VIEWED FROM THE SAME SIDE OF THE GATE AS THE OPERATOR WITH THE OPERATOR TO YOUR RIGHT

NOTE: UNIT SHIPS OUT AS A RIGHT HAN

LEFT HAND OPERATION



LEFT HAND



LEFTHAND OPERATION IS VIEWED FROM THE SAME SIDE OF THE GATE AS THE OPERATOR WITH THE OPERATOR TO YOUR LEFT

**WARNING - DISCONNECT BATTERIES AND AC POWER BEFORE
SERVICING ANY MECHANICAL OR MOVING COMPONENTS!!!!**

BATTERY CHECKOUT- When the batteries become weak the gate will begin to run noticeably slower. (Note: Batteries should only be checked when you are sure they have had adequate time to fully charge). Turn off the AC power and run gate for 5 to 10 cycles while observing low battery indicator LED D12. If LED 12 comes ON, batteries are too weak to function properly. If LED 12 does not light, then voltage should be checked as they still maybe near failure. Correct voltage is approximately 25.5VDC. (Note: If LED D12 does light, gate will open to conserve batteries in this test or in a real power loss, even if mode switch 8 on S2 is off). Return of AC power will clear low battery indicator. Correct charge voltage is 27.5 VDC with batteries not connected (adjustment is at R63).

GATE WILL NOT CLOSE

- 1) Check for any active inputs, AC power loss, AC power switch is off or weak batteries.
- 2) Check that batteries are connected properly.
- 3) Is switch S-3 in on position (this is manual open switch).
- 4) Check for S-2 switch number 8 is in on position and if AC power is lost, see LED D14.
- 5) Check LED D12, if lit and AC power is off, then batteries needs to be charged or replaced.

GATE WILL NOT OPEN

- 1) Check for AC power loss at D14 (check AC power switch) and that batteries are fully charged.
- 2) Check fuses and if inputs are wired correctly, test S-3 manual open switch.

GATE DEAD, NO OPERATION

- 1) Check LED D14 for AC power indication and check AC power switch is on.
- 2) Check LED D11 for Heart Beat pulses, if none and D14 (AC) & D5 (Brake) are on, then gate has repeatedly sensed obstructions. Clear obstruction then clear with next new input.
- 3) IRD (D2) LED is flashing, MRT has expired. Gate was unable to reach the closed limit switch. Check that fast run timer is set to run as long as possible. (MRT is **Maximum Run Timer**).

FUSE(S) ARE BLOWN, F-3 (10 AMP AC) AND / OR F-4 (15 AMP DC)

- 1) Check for shorts in wiring. If F-3 AC fuse is blown then batteries may also be dead.

**"Warning- For Continued Protection Against Fire,
Replace Only With The Same Type And Rating Of Fuse".**

GATE CLOSSES THEN REVERSES

- 1) See IRD adjustments, also check for obstacles in gate travel, trees, sticks, rocks, etc.....
- 2) Charge voltage to batteries too low, adjust at **R63**. With batteries disconnected set to 27.5.

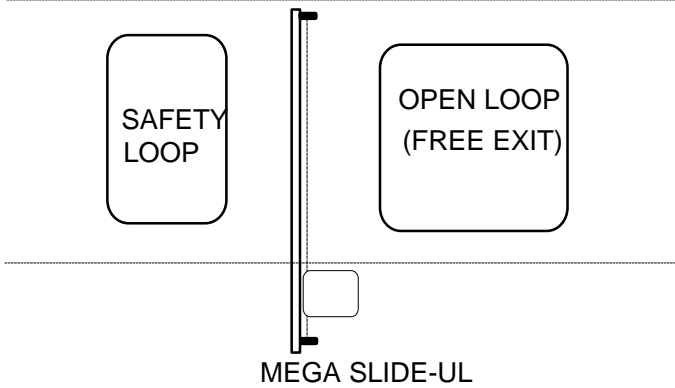
IRD OBSTRUCTION SIGNAL TO OTHER GATE NOT WORKING CORRECTLY

- 1) Remove connector at J3, obstruct gate, LED D13 should go off for a few seconds. This indicates signal was transmitted. Be sure gates share a common ground (See master slave pg. 4)

GENERAL SERVICE

- 1) Belt loose or needs replacement, adjust with 4 bolts that support motor to allow 1/4 inch play.
- 2) Charge voltage for batteries should be 27.5 VDC with batteries disconnected. (set at R63)
- 3) Replace batteries with **Yuasa, pn# NP7-12**, 7 or 10 amp hour 12vdc sealed lead / acid type.

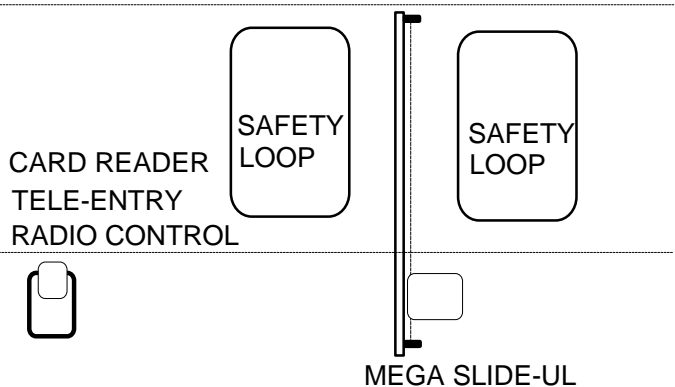
FREE EXIT ON VEHICLE APPROACH:



GATE WILL OPEN WHEN SENSED BY OPEN LOOP AND THEN CLOSE ONCE ALL LOOPS ARE CLEARED IF THE CLOSE TIMER IS ON. CLOSE INPUT CAN BE USED TO CLOSE GATE BEFORE TIMER EXPIRES.

TERMINAL # 1,2,3 IS OPEN INPUT.
TERMINAL # 5 IS SAFETY INPUT.

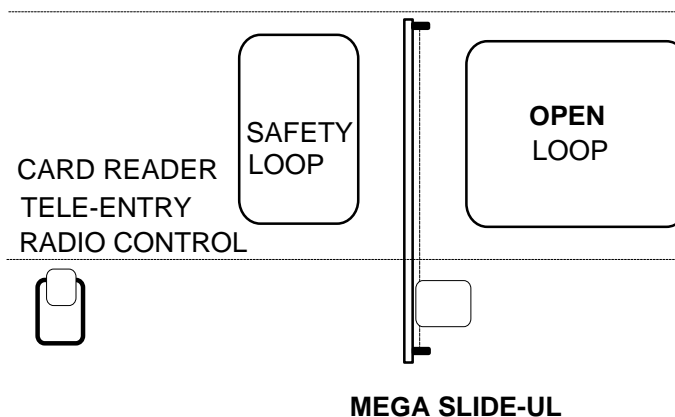
ENTRY WITH ACCESS CONTROL DEVICE:



GATE WILL OPEN WHEN ACTIVATED BY AN ACCESS CONTROL DEVICE. WHEN TIMER EXPIRES (IF USED) GATE WILL CLOSE

TERMINAL # 5 IS SAFETY INPUT.
TERMINAL # 1,2,3 ARE OPEN INPUTS.

DUAL DIRECTION AS ENTRY AND FREE EXIT:



DUAL DIRECTION IS A COMBINATION OF BOTH OF THE ABOVE CONFIGURATIONS TO PROVIDE THE ABILITY FOR TRAFFIC TO ENTER OR EXIT IN THE SAME LANE.

DO NOT ALLOW CONTROL DEVICES TO BE WITHIN REACH OF GATE OR OPERATOR

RECOMMENDATION 1: If vehicle detectors are used to open or close the gate, use of the presence contacts are recommended. Using the pulse contacts will **REDUCE** the gates safe operation.

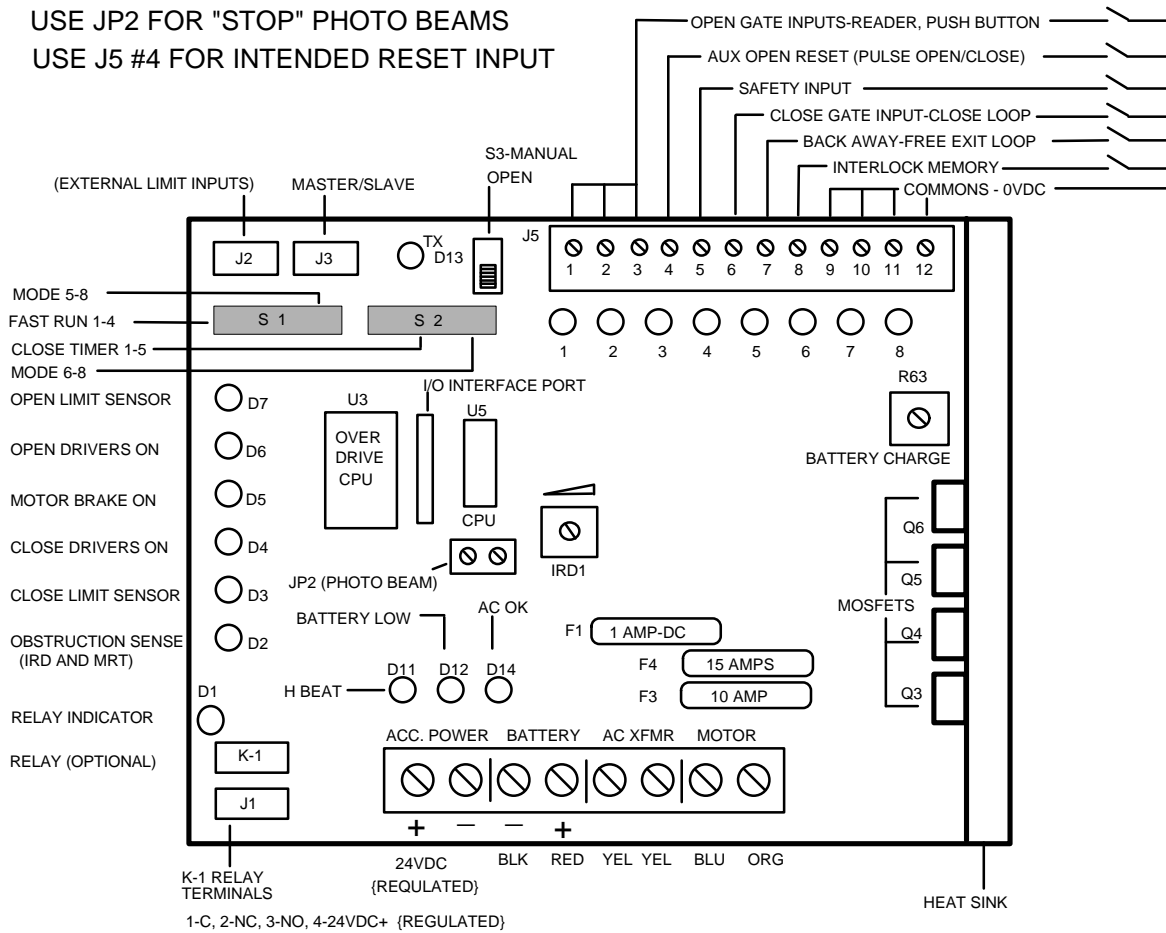
RECOMMENDATION 2: Use safety pressure sensing edges to prevent entrapment.

RECOMMENDATION 3: Install **ALL** access control devices within view of gate.

CONTROL BOARD LAYOUT

BOARD REV 2.0 (2/98)

READ SAFETY INSTRUCTIONS BEFORE WIRING



ACCESSORY POWER IS 24VDC REGULATED RATED AT 500 ma. [1/2 AMP]
 {POWER AT ACCESSORY+ AND AT RELAY PIN-4+ IS FUSED AT F1 WITH A 1 AMP FAST-BLO FUSE}

J5 #4 FOR USE WITH HARD WIRED LINE OF SIGHT DEVICES TO OPEN GATE AND RESET UNIT.

D11- HEART BEAT- SHOWS THAT PROCESSOR AND PROGRAM ROUTINE ARE RUNNING PROPERLY

D12- BATTERY STATUS- SEE DIAGNOSTIC PROCEDURES

D14- AC POWER INDICATOR- SHOWS THAT AC POWER IS PRESENT

S3- MANUAL OPEN- TO ALLOW GATE TO BE OPENED OR CLOSED DURING SERVICE OF UNIT.

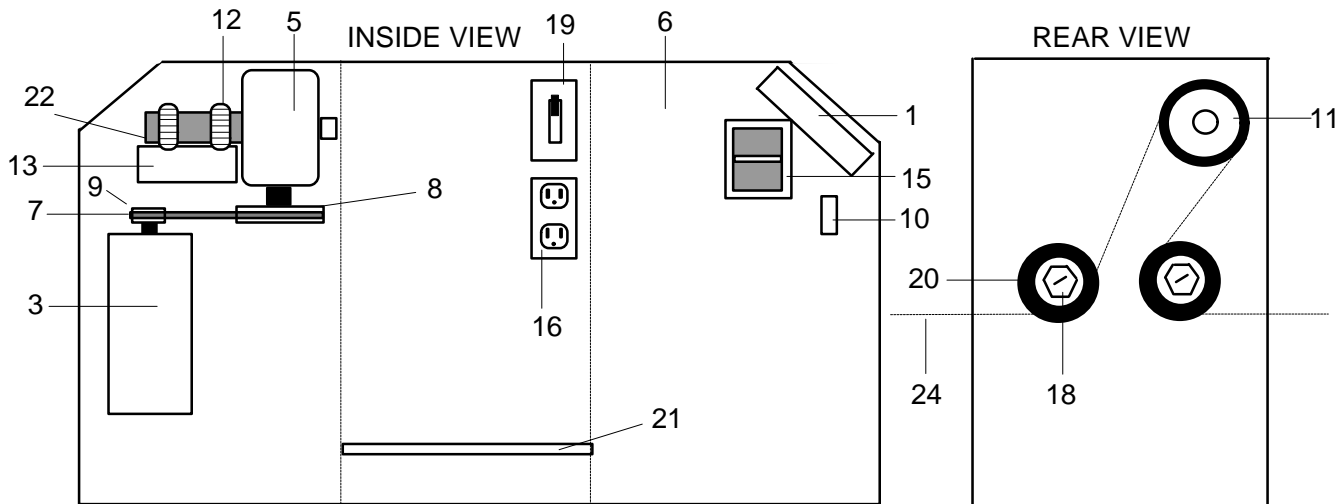
F1- 1 AMP FAST BLO FUSE (5mmX20mm). MAXIMUM CONTINUOUS DRAW IS 1/2 AMP. (U.L. LISTED FUSE ONLY)

F3- 10 AMP ATO TYPE FUSE FOR 24VAC INPUT POWER. (U.L. LISTED FUSE ONLY)

F4- 15 AMP ATO TYPE FUSE FOR 24VDC BATTERY INPUT POWER. (U.L. LISTED FUSE ONLY)

JP2- INPUT FOR PHOTO BEAM AS A SECONDARY ENTRAPMENT PROTECTION

MEGA SLIDE-UL. PARTS LIST



ITEM	PN	DESCRIPTION
1	SL-001	CONTROLLER-CPU
2	SL-002	J5 CONNECTOR (ON PCB)*
3	SL-003	DC MOTOR - 24 VDC
4	SL-004	12VDC 7AH BATTERY-2 REQUIRED (NOT INCLUDED)*
5	SL-005	GEAR REDUCER 60:1
6	SL-006	ALUMINUM CHASSIS
7	SL-007	DRIVE BELT
8	SL-008	REDUCER PULLEY
9	SL-009	MOTOR PULLEY
10	SL-010	MOTOR CIRCUIT BREAKER
11	SL-011	DRIVE GEAR
12	SL-012	LIMIT NUTS
13	SL-013	DETENT PLATE
14	SL-014	BOLT & NUT (4) MOTOR*
15	SL-015	TRANSFORMER (110 / 220 VAC-24VAC)
16	SL-016	DUPLEX OUTLET
17	SL-017	BOLT & NUT (4) REDUCER*
18	SL-018	IDLER PULLEY BOLT, WASHER, NUT
19	SL-019	120 VAC ON-OFF SWITCH
20	SL-020	IDLER PULLEY (UHMW)
21	SL-021	REMOVABLE ACCESSORY SHELF
22	SL-022	LIMIT SWITCH
*	SL-023	UNIT COVER
*	SL-024	#41 NICKEL PLATED DRIVE CHAIN (20 FEET)

(*) PARTS NOT SHOWN

PARTS SHIPPED

- 1 MEGA SLIDE-UL OPERATOR
- 1 CONTROLLER CPU
- 1 UNIT COVER
- 1 ACCESSORY SHELF
- 1 INSTALLATION AND SERVICE MANUAL
- 2 GATE PULL TABS WITH HARDWARE
- 1 20 FEET OF #41 NICKEL PLATED DRIVE CHAIN
- 2 WARNING SIGNS

UNIT ALSO REQUIRES (2) SEALED 12 VDC 7-AMP HR OR 10-AMP HR BATTERIES- NOT INCLUDED

(You must read, understand and agree with all items in the limited warranty)
INSTALLATION CHECK-OFF LIST MUST BE COMPLETED
ANY REQUIRED CONTACT EDGES & PHOTO BEAMS
MUST BE INSTALLED

LIMITED WARRANTY

DC SOLUTIONS, INC. Warrants the **MEGA-SLIDE-UL** to be free of defects in workmanship and materials for a period of 1 year for electronics and mechanical components and 5 years on the cover and chassis for perforation due to corrosion. Warranty will begin from the date of purchase.

DC Solutions, inc. reserves the right of final determination as to the existence and causes of any defect or failure. Any part or parts found to be defective and are returned to DC Solutions within the warranty period, shall at our option be repaired or replaced free of charge F.O.B. the factory.

The warranty will not apply the following circumstances which are considered beyond our control. Mis-use, vandalism, accident, neglect, unauthorized repairs or modifications, acts of God (lightning, floods, insect damage, etc...), power surges, units subjected to corrosive environments, incorrect installation or application, the batteries or incorrect battery installation, operation without or failure to use correct battery type, damage to mechanism due to wrong type of gate, incorrect weight, gate not operating freely or not on level ground.

The warranty set forth above is entirely exclusive and no other warranty whether written or oral, is expressed or implied. DC Solutions, inc. specifically disclaims any and all implied warranties, merchantability or fitness for a particular purpose. It is the purchasers sole and exclusive responsibility to determine whether or not the equipment will be suitable for a particular purpose. In no event shall DC Solutions, inc. be held liable for direct, indirect, incidental, special, consequential damages or loss of profits whether based on contract, tort, or any other legal theory during the course of the warranty or at any time there after. The installer and/or end user do agree to assume all responsibility for all liability in use of this product, releasing DC SOLUTIONS, INC of all liability.

WARNING!

MEGA SLIDE-UL IS NOT FOR USE WITH MOTOR CYCLES, BICYCLES OR PEDESTRIANS.

YOU MUST PROVIDE APPROPRIATE SIGNAGE BEFORE ACTIVATING THE UNIT.

NEVER ALLOW CHILDREN TO PLAY NEAR OR OPERATE AUTOMATIC GATES.

INSTALL PHOTO BEAMS AND PRESSURE SENSING EDGES AT ANY AREA THAT COULD POSE A HAZARD TO PEDESTRIAN OR VEHICULAR TRAFFIC.

IN ORDER TO INSTALL AND USE THE MEGA SLIDE-UL, YOU MUST UNDERSTAND AND BE IN FULL UNCONDITIONAL AGREEMENT WITH ALL STIPULATIONS OUTLINED ABOVE. IF YOU ARE NOT IN FULL AGREEMENT, DO NOT PUT UNIT INTO OPERATION. IF OPERATOR IS PUT INTO OPERATION THIS WILL BE CONFIRMATION THAT YOU ARE IN FULL UNCONDITIONAL AGREEMENT WITH THE ALL OF THE ABOVE STIPULATIONS.

Materials, components, features and specifications are subject to change without notice.