

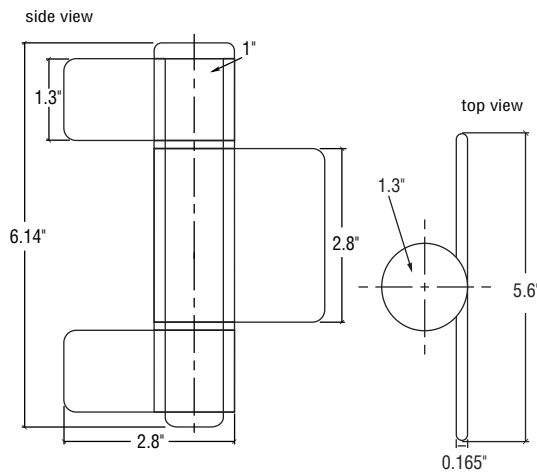
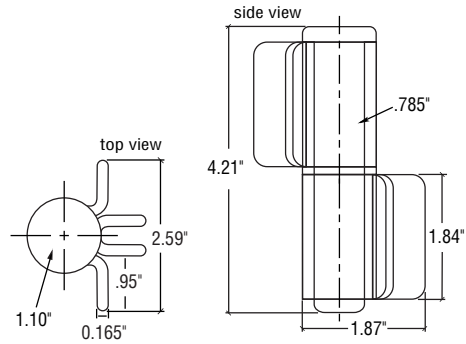
# HDP HINGES FOR MANUAL AND PEDESTRIAN GATES

Elite's heavy duty pedestrian hinges are perfect for manual pedestrian gates. These hinges are made of solid steel and are maintenance free. The HDP pedestrian hinges come in three different models depending on your gate. The HDP100 can handle a weight capacity of up to 300 lbs. per pair. The HDP200 can handle a weight capacity of up to 400 lbs. per pair. The HDP300 can handle up to 700 lbs. per pair.



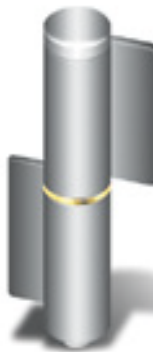
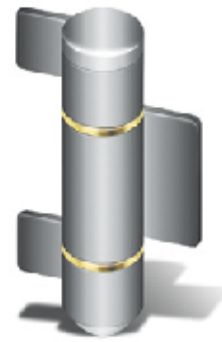
## MODEL HDP 100

- heavy-duty, solid steel gate hinge
- designed for manual, pedestrian gates
- easy installation and maintenance
- weight capacity per pair: 500 pounds
- capable of continuous cycle operation
- equipped with .785" solid steel shaft
- shipping weight per pair: 2.66 lbs.



## MODEL HDP 200

- heavy-duty, solid steel gate hinge
- designed for heavy, pedestrian gates
- easy installation and maintenance
- weight capacity per pair: 700 pounds
- capable of continuous cycle operation
- equipped with 1" solid steel shaft
- shipping weight per pair: 5.14 lbs.



## MODEL HDP 300

- heavy-duty, solid steel gate hinge
- designed for large, manual gates
- easy installation and maintenance
- weight capacity per pair: 1000 pounds
- capable of continuous cycle operation
- equipped with 1" solid steel shaft
- shipping weight per pair: 7 pounds

