

Model

412



Model 412 Electromechanical Swing Gate Operator

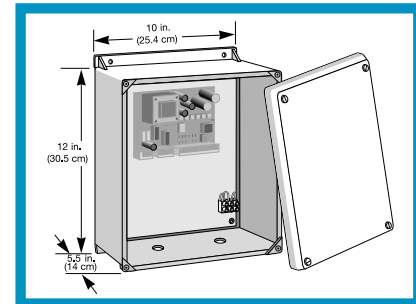
The Model 412 is specifically designed for
light residential use.

Model 412 operator is controlled by the 450 MPS Control Panel.

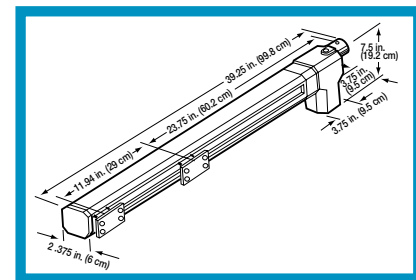
- * One 450 MPS operates single leaf or bi-parting gates
- * Choice of 6 operating modes including:
 - "pulse-to-open, pulse-to-close"
 - automatic timed closure
 - "man present" (separate open and close contacts)
- * Easy interconnection of loop detectors, photocells, etc. to reverse a gate if an obstacle is sensed
- * Easy interconnection of actuating devices like remote control radios, key pads and telephone entry systems
- * On-board diagnostic LEDs
- * Concealed positive gate stops available

Parameter	Model 412
Application	Single family residence, single leaf or bi-parting gate (vehicles only, not for pedestrian use)
Cycles per hour	Limited residential use
Maximum gate swing	110 degrees
90 degree opening time	Adequate and adjustable for residential applications
Maximum weight per gate leaf	up to 500 pounds (225 kg)
Maximum length per gate leaf	14 feet (4.3 m)
Approx. operating temperature range	-4°F to 131°F (-20°C to 55°C)
Mechanical locking	Opened and closed positions
Voltage	115 VAC (5 A) or 230 VAC (2 A)

Note: Operator specifications are approximate. Environmental factors can change the performance of the operator. Your installer will advise you which model of operator will work best for your site and application.



Model 450 MPS Control Panel and fiberglass enclosure



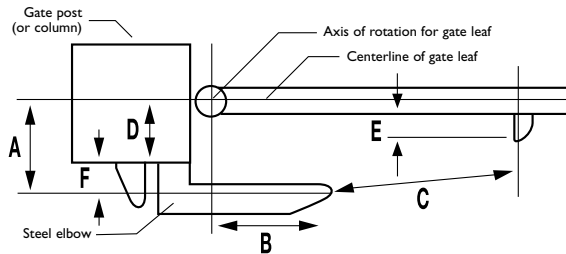
Model 412 dimensions



FAAC is the world's largest specialized manufacturer of operators for barrier, slide and swing gate systems.

The FAAC 412 Low Voltage Residential Operator

Mounting dimensions for OUTWARD-swinging 412 operators, top view



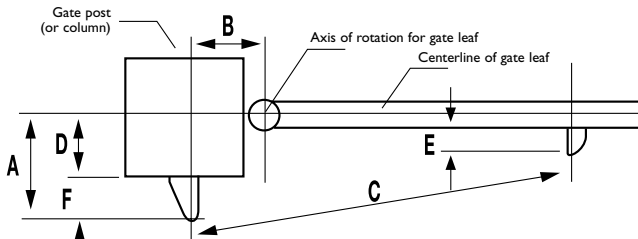
Mounting Dimensions^a

	90 degree swing	110 degree swing
A	5.75 in. (14.5 cm)	4.88 in. (12.5 cm)
B	5.75 in. (14.5 cm)	4.88 in. (12.5 cm)
WARNING! A and B should differ by no more than .5 in. (1.27 cm). Larger differences may dangerously alter the speed of operation.		
C	24.25 in. (62 cm)	
D	4 in. (10 cm)	3.13 in. (8 cm)
E	Absolute minimum of 3.13 in. (8 cm)	
F	Absolute minimum of 1.75 in. (4.5 cm)	

^a Gate speed increases as the dimensions A and B decrease. The torque adjustment may also affect the gate speed.

^b The sum of A and B must equal a minimum of 3.625 in. (9 cm).

Mounting dimensions for INWARD-swinging 412 operators, top view



Mounting Dimensions^a

	90 degree swing	110 degree swing
A	5.75 in. (14.5 cm)	4.88 in. (12.5 cm)
B	5.75 in. (14.5 cm)	4.88 in. (12.5 cm)
WARNING! A and B should differ by no more than .5 in. (1.27 cm). Larger differences may dangerously alter the speed of operation.		
C	35.125 in. (89.2 cm)	
D	4 in. (10 cm)	3.13 in. (8 cm)
E	3.13 in. (8 cm)	3.13 in. (8 cm)
F	Absolute minimum of 1.75 in. (4.5 cm)	

^a Gate speed increases as the dimensions A and B decrease. The torque adjustment may also affect the gate speed.

^b The sum of A and B must equal a minimum of 3.625 in. (9 cm).

The Model 412 is U L 325 compliant.

U L Class 325 Descriptions & FAAC Operators			
Class	FAAC Models	Duty Cycle	Typical Use
Class 1	Residential vehicular gate operator 400, 402, 422, 750, 760, 620, 640, 412	Limited duty	*Home use *Small apartment building, up to 4 units per building, limited public access
Class 2	Commercial/General access vehicular gate operator 400, 620, 640	Continuous duty	*Apartment buildings *Open public access
Class 3	Industrial/Limited access vehicular gate operator 400, 620, 640	Continuous Duty	*No public access
Class 4	Restricted Access vehicular gate operator 620, 640	Continuous Duty	*Prison related security

Model 412 Kit (for bi-parting gates):

- Two gate operators with mounting hardware
- One 450 MPS control panel in weather resistant fiberglass enclosure
- One photobeam set
- One plug-in radio receiver
- Two radio transmitters

For more information, visit our web site at www.faacusa.com, or call 1-800-221-8278.



LIT-412REV-5/01