

# Surface-Mount Outdoor Access Keypad

## SK-1123-SQ 110 Users, Two Relays, Surface Mount

### Features:

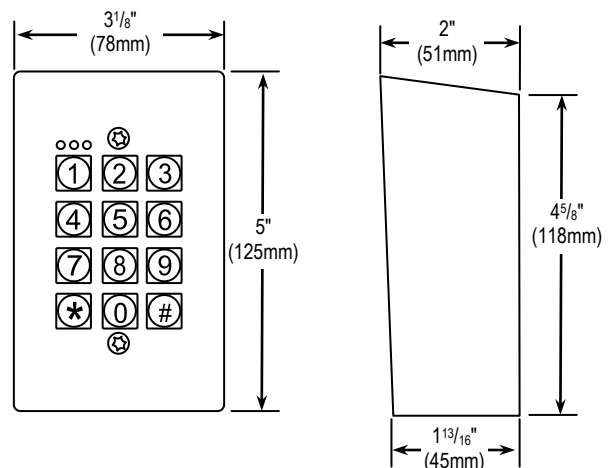
- ▶ 110 Users (Output #1: 100 users, Output #2: 10 users).
- ▶ 2 Outputs:
  - Output #1 – Form C relay, 5A@28VDC.
  - Output #2 – Form C relay, 1A@28VDC.
- ▶ Each relay can be programmed for momentary (1~999 seconds) or latch.
- ▶ Programmable LED keys: Full-time ON, ON when keys are pressed, Full-time OFF; suitable for solar applications.
- ▶ Code flexibility: Each code can be 4~8 digits long.
- ▶ Egress input for exiting the protected premises.
- ▶ Backlit keys for easy nighttime use.
- ▶ Dual voltage: 12~24 VAC/VDC operation.
- ▶ Tamper switch: N.C. dry contact 3A@12VDC.
- ▶ Mantrap: For a protected area with two doors, this feature allows only one door to be open at any time.
- ▶ All features are programmed directly from the keypad.
- ▶ Duress output signals a silent alarm if an authorized user is forced to open the door under duress.
- ▶ Keypad active output.
- ▶ Door-forced-open and door-propped-open alarm output.
- ▶ Keypad can be programmed to emit beeps for key presses or operate in silent mode.
- ▶ Auto or manual code entry checking:
  - Auto: **#** Key is not required after each code.
  - Manual: **#** Key must be pressed after every code.



### Specifications:

Operating voltage	12-24 VDC/VAC	
Current draw	Stand-by	15mA@12VDC
	Key pressed	45mA@12VDC
	Relay active	130mA@12VDC
Number of relays	2	
Relay output	Relay #1	5A@28VDC, Form C, NO/NC/COM
	Relay #2	1A@28VDC, Form C, NO/NC/COM
Additional output	Keypad active and alarm output	
Egress	N.O. Ground, 3A@12VDC	
Door sensor input	N.C.	
Dimensions	5"x3 1/8"x2" (125x78x51 mm)	
Weight	18-oz (510g)	

### Dimensions:



**SECO-LARM<sup>®</sup>**  
16842 Millikan Avenue  
Irvine, CA 92606

Tel: 1-949-261-2999  
1-800-662-0800  
Fax: 1-949-261-7326

Web: [www.seco-larm.com](http://www.seco-larm.com)  
Email: [info@seco-larm.com](mailto:info@seco-larm.com)

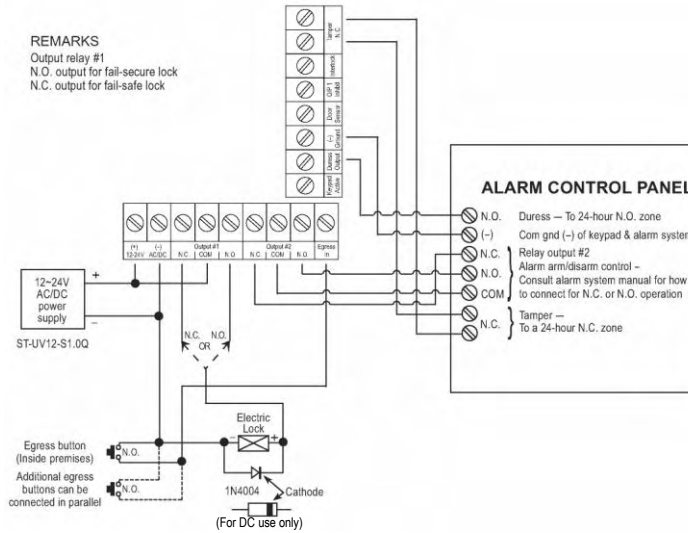


Copyright © 2010  
SECO-LARM U.S.A, Inc.  
All rights reserved

# Surface-Mount Outdoor Access Keypad



## Sample Wiring:



## Status Buzzer and LEDs:

### Red LED

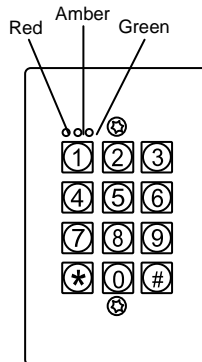
Illuminates while output #2 is activated.

### Amber LED

Flashes to show the keypad status (see chart).

### Green LED

Illuminates while output #1 is activated.



STATUS	BUZZER TONES	AMBER LED FLASHES
In programming mode	---	ON
Successful key entry	1 beep	1 flash
Successful code entry	2 beeps	2 flashes
Unsuccessful code entry	5 beeps	5 flashes
DAP jumper not replaced	Continuous beeps	Continuous flashes
In standby mode	---	1 flash in 2-second intervals
Output relay activated	1-second beep	---

## Also Available from SECO-LARM:

### SK-1123-FQ

Outdoor Stand-Alone Keypad

- ▶ Weatherproof
- ▶ 110 Users
- ▶ 2 Relays
- ▶ Flush mount



### SK-2323-SDQ

Mullion-Style Keypad

- ▶ Weatherproof
- ▶ 1,010 Users
- ▶ 2 Relays
- ▶ Prox-reader available



### SK-1323-SDQ

Sealed-Environment Keypad

- ▶ Weatherproof
- ▶ 1,010 Users
- ▶ 2 Relays
- ▶ Prox-reader available



### SK-1011-SQ

Indoor Stand-Alone Keypad

- ▶ Indoor use
- ▶ 100 Users
- ▶ 1 Relays



### SK-1131-SQ

Illuminated Indoor Keypad

- ▶ Backlit Keys
- ▶ 120 Users
- ▶ 2 Relays



### Proximity Cards or Tags

(Sold in packs of 10)



PR-K1S1-A

PR-K1K1-AQ

## SECO-LARM®

16842 Millikan Avenue  
Irvine, CA 92606

Tel: 1-949-261-2999

1-800-662-0800

Fax: 1-949-261-7326

Web: [www.seco-larm.com](http://www.seco-larm.com)

Email: [info@seco-larm.com](mailto:info@seco-larm.com)



Copyright © 2010  
SECO-LARM U.S.A., Inc.  
All rights reserved